

Installation Instructions

Telehealth Camera Mounts



Preface

IMPORTANT, PLEASE READ CAREFULLY

Thank you for your purchase with Amico Accessories Inc.

This product is designed for long lasting performance, providing the end user complies with assembly and maintenance procedures. This Instruction Manual is your guide to ensure that you get the best performance out of the equipment. Amico Accessories Inc. is not responsible for any damage as a result of (but not limited to) abuse and other problems that may be a direct or indirect result of failure to comply with the instructions provided in this manual.

Please Note these Key Words and Symbols:



WARNING: Steps where extra care should be taken to prevent injuries and damage.



NOTE: Steps that point out helpful information.

Medical Facility Responsibilities:

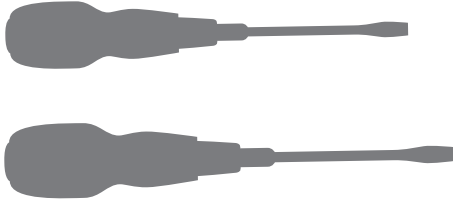
Preventive maintenance checks must be performed regularly to maintain the quality and performance of this product. Any parts that may be broken, missing, worn, distorted, or contaminated in any way should not be used and all affected parts should be replaced immediately. Should the necessity of any repair be suspected; please contact your local distributor or call 877-264-2697.

Table of Contents

Section 1: Installation Preparation	4-5
Tools Required	4
Included Hardware	5
Screws Included in your Hardware Kit	5
Section 2: Installation to Mounting Platforms	6
Section 3: Instructions with Mounting Rails	6-9
Optional Orientation	6
Section 4: Instructions with Hummingbird Mobile	10-16
Installation of KIT 1 (HMA-CAMHLD-FTA)	10
Installation of KIT 2 (HMA-CAMHLD-FIT)	11
Installation of KIT 3 (CAMHLD-P)	13
Optional Orientation	14
Other Assembly Options with Hummingbird Mobile Cart	15-16
Section 5: Instructions with Hummingbird CTM Cart	17
Section 6: Instructions with Roll Stand	18
Section 7: Instructions with Tri-post	19
Section 8: Instructions to Install the Device	20
Section 9: Maintenance and Cleaning	21
Warranty	22

Section 1: Installation Preparation

Tools Required:



#2 & #3 Philips Head
Screwdriver



Cordless Electric Screwdriver
with #2 & #3 Philips Bits



1/2" (1.27 cm) Socket Wrench



T20 Torx Allen Key

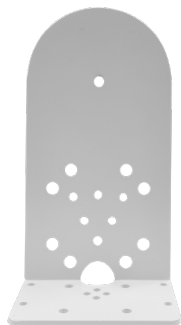


1/8 Allen Key



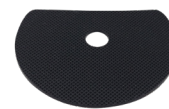
3/16 Allen Key

Included Hardware:



Cam Holder


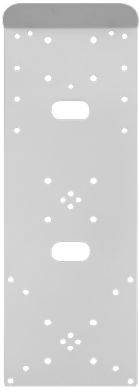


(Fully Assembled with the selected adapter/Post Bracket [not shown], if applicable)



Rubber Pad

Section 1: Installation Preparation

Hardware Kit Included:

PART NO.	HARDWARE	ADDITIONAL VESA MOUNTING HARDWARE	IT POST NEW TOP PLATE	
HMA-CAMHLD-FTA	H-PHMS-832-516-P - 4 pcs. H-ACNUT-8-32 - 4 pcs. FTA-8-32 - 1 pc. H-PHMS-832-14-P - 4 pcs. H-PHMS-1032-38-P - 4 pcs. H-ANUT-1032 - 4 pcs. H-DSF-VHB-TAPE - 1.5" 	Vesa Plate Bracket X-CAM-VESA-PLT 	Cam Holder Cover X-MRS-CVR X-MRS-CVR-HLD-15 X-MRS-CVR-HLD-MGT 	
HMA-CAMHLD-FIT	H-PHMS-832-516-P - 4 pcs. H-ACNUT-8-32 - 4 pcs. H-PHMS-832-14-P - 4 pcs. H-PHMS-1032-38-P - 4 pcs. H-ANUT-1032 - 4 pcs. H-DSF-VHB-TAPE - 1.5" H-PHMS-1032-14-P - 2 pcs. H-FHCS-1024-58 - 2 pcs. H-TRPTFS-812-12 - 2 pcs. H-PHMS-M4-12 - 4 pcs.		X-HMA-FIT-ACC-MNT-PK 	
CAMHLD-P	H-PHMS-1032-14-P - 2 pcs. H-FHCS-1024-58 - 2 pcs. H-TRPTFS-812-12 - 2 pcs.			
CAMHLD-A	H-PHMS-832-14-P - 4 pcs.			
CAMHLD				
CAMHLD-G	H-PHMS-832-14-P - 2 pcs.			
CAMHLD-S				
CAMHLD-V	H-PHMS-832-516-P - 2 pcs.			
CAMHLD-F	H-PHMS-832-516-P - 4 pcs.			
CAMHLD-MON	H-PHMS-832-58-P - 2 pcs.			
CAMHLD-PLH	H-PHMS-832-58-P - 4 pcs.			
CAMHLD-PLV	H-PHMS-832-58-P x 4 pcs.			
CAMHLD-E25				
CAMHLD-R125	H-PHMS-832-38-P - 4 pcs.			
CAMHLD-R150				
CAMHLD-DW	H-FHMS-1032-12-P - 3 pcs. (For Roll Stand Post Top Mount)			
	H-FHCS-1024-125-P - 3 pcs. (For Tri-Post Top Mount)			
	H-FHCS-1420-12-P - 4 pcs. (For CTM Cart Column Top Mount)			

Section 2: Installation to Mounting Platforms



NOTE: Load capacity up to 2.5 lbs (1.14 kg)

The *CAM HOLDER BRACKET* can mount on the platforms listed below with respective to their individual hardware provided.

- Mounting rails
- Direct wall mount
- Hummingbird mobile cart (both powered & non-powered)
- Hummingbird CTM cart
- Roll Stand
- Tri-post

Section 3: Instructions with Mounting Rails

1. Place the *CAM HOLDER BRACKET* with *MOUNTING ADAPTER* ATA/FTA/VTA/OHM/GTA/STA/ETA/PC-125/PC-2/MON/PC-15 to the respective ARS/LRS/FRS/VRS/MRS/RS rail. Secure the camera device with $\frac{1}{4}$ -20 SCREWS (not included). Refer to the following instructional documents for the adapters with respective rails:

- ARS Rail – “Instruction Manual for ATA” under Mounting Preparation tab
- FRS/LRS Rail – “Instruction Manual For FTA (-__)-__(_)” under Mounting Preparation tab
- MRS Rail – “Instruction Manual for MRS-034-STSP” under Mounting of Devices onto MRS tab
- RS Rail – “Instruction Manual for RS_-___-PKG-_-” under Roll Stand Basket Assembly



Note: Replace the basket accessories with the wipe holder.

- VRS Rail – “CPUMNT_-_ Instruction Manual Template and Guidelines” under Mounting Platform VRS tab



Note: Replace the CPUMNT accessories with the wipe holder.

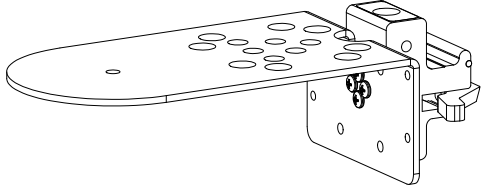
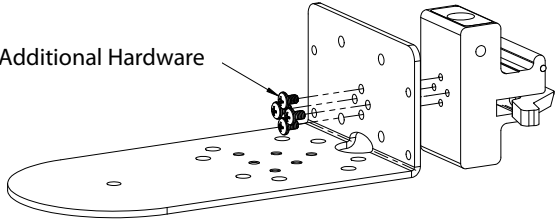
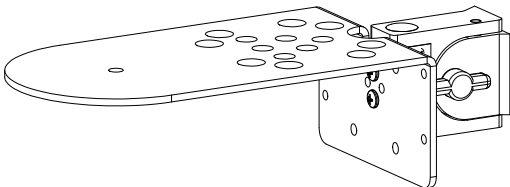
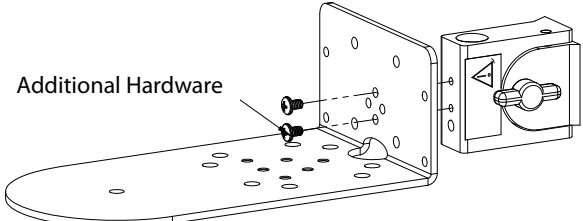
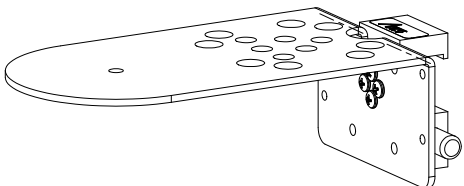
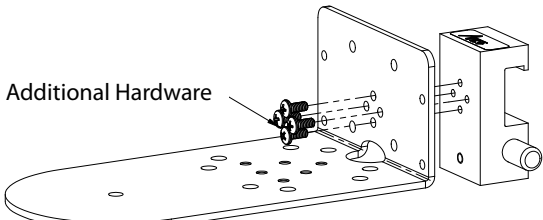
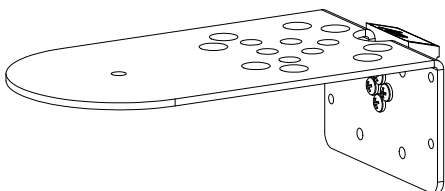
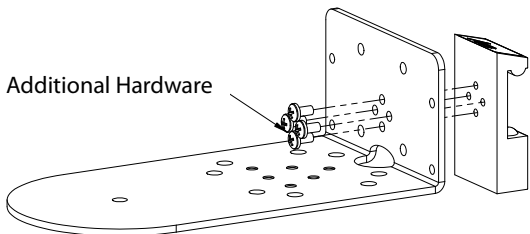
2. If the *CAM HOLDER BRACKET* will be mounted **directly to the wall**, place the holder on the wall, mark the positions then drill 4x holes to accommodate #8 or #10 screws (not provided).

3. Install method and hardware selection should be based on type of wall. Install the holder directly to the wall.

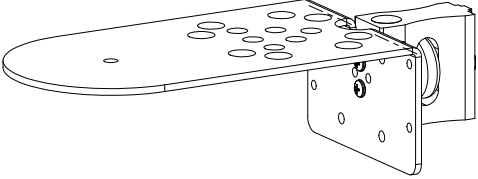
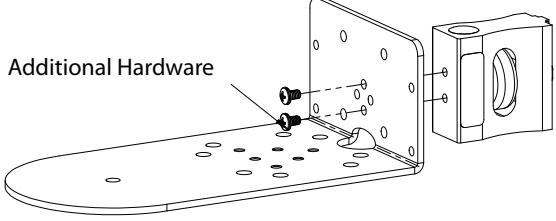
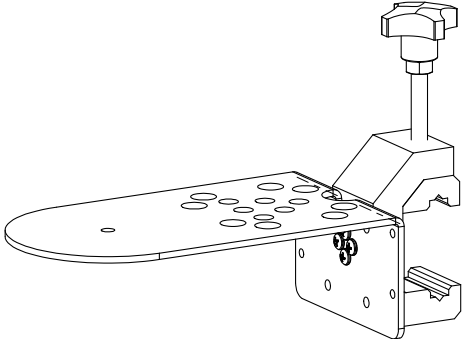
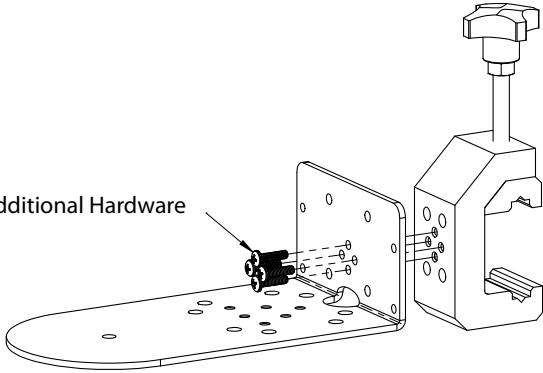
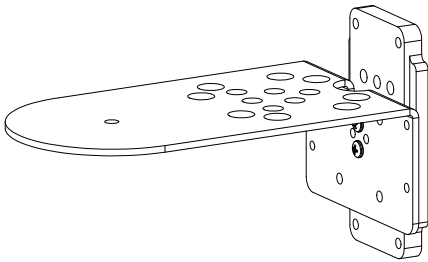
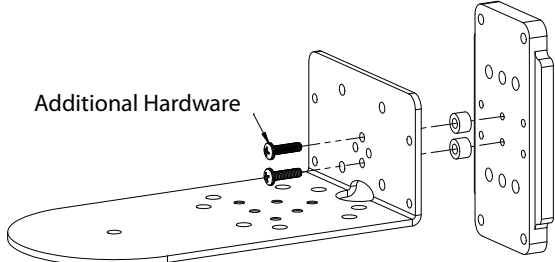
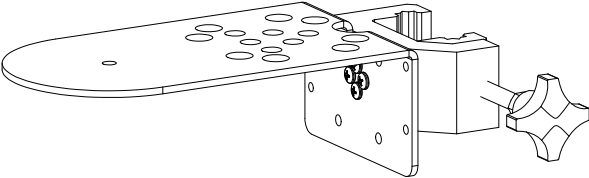
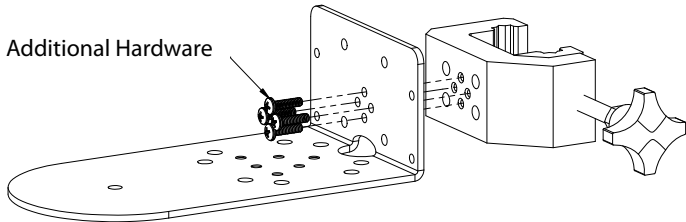
Section 3: Instructions with Mounting Rails

Optional Orientation:

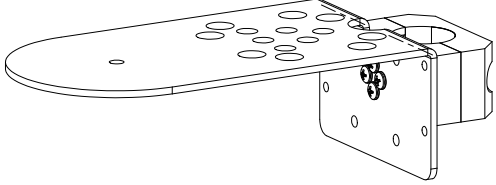
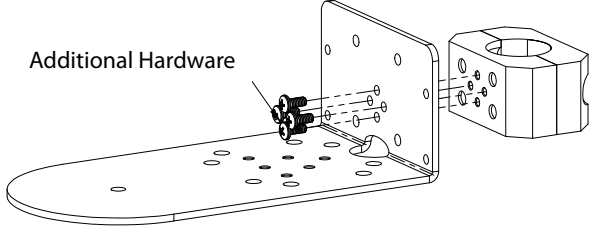
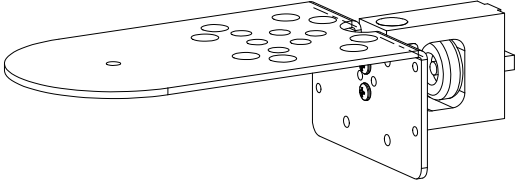
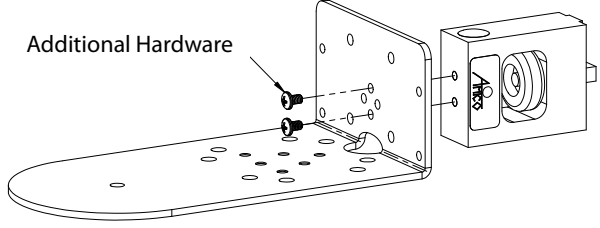
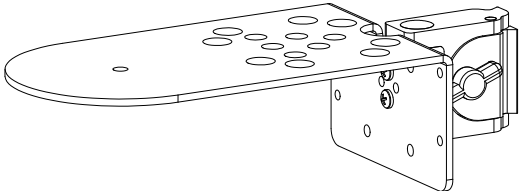
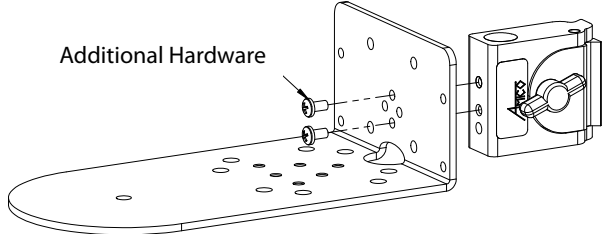
The *CAM HOLDER BRACKET* with adapters comes with an additional hardware kit to allow re-assembly in other orientations.

STANDARD ORIENTATION	OPTIONAL ORIENTATION
	
	
	
	

Section 3: Instructions with Mounting Rails

STANDARD	OPTIONAL
	 <p>Additional Hardware</p>
	 <p>Additional Hardware</p>
	 <p>Additional Hardware</p>
	 <p>Additional Hardware</p>

Section 3: Instructions with Mounting Rails

STANDARD	OPTIONAL
 A perspective view of a mounting rail being attached to a base plate. The rail is being inserted into a slot on the base plate.	<p data-bbox="901 430 1112 457">Additional Hardware</p>  A perspective view of the optional assembly. A screw is being inserted through the rail into the base plate. A callout shows a separate view of the rail with a screw being inserted into a hole. The rail is being attached to a base plate that has a different shape than the standard one.
 A perspective view of the mounting rail being fully attached to the base plate. The rail is now flush with the base plate.	<p data-bbox="893 724 1104 751">Additional Hardware</p>  A perspective view of the optional assembly. Two screws are being inserted through the rail into the base plate. A callout shows a separate view of the rail with two screws being inserted into two holes. The rail is being attached to a base plate that has a different shape than the standard one.
 A perspective view of the mounting rail being fully attached to the base plate. The rail is now flush with the base plate.	<p data-bbox="917 1039 1128 1066">Additional Hardware</p>  A perspective view of the optional assembly. A screw is being inserted through the rail into the base plate. A callout shows a separate view of the rail with a screw being inserted into a hole. The rail is being attached to a base plate that has a different shape than the standard one.

Section 4: Instructions with Hummingbird Mobile Cart

The *CAM HOLDER BRACKET* to be mounted on the Hummingbird mobile cart comes with 3 different kits. Based on mounting location and orientation it classifies.

- KIT 1: (HMA-CAMHLD-FTA)
- KIT 2: (HMA-CAMHLD-FIT)
- KIT 3: (CAMHLD-P)

Installation of KIT 1 (HMA-CAMHLD-FTA):

For use with **HMA-CAMHLD-FTA**, if not applicable please proceed to the next page.



NOTE: Please refer to the "Installation of Perch to Cart" document to install the perch on the Hummingbird mobile cart.

1. Place the *ADAPTER* onto the *VESA PLATE BRACKET* as shown in **Figure 1**. Secure and tighten 4x *ADAPTER SCREWS* through the *VESA PLATE BRACKET* into the *ADAPTER*.
2. Place the *CAM HOLDER* onto the *VESA PLATE BRACKET* as shown in **Figure 1**. Secure and tighten 4x *HOLDER SCREWS* through the *CAM HOLDER* and the *VESA PLATE BRACKET* into 4x *NUTS*.
3. Place the *ADAPTER* on the *PERCH BAR* and secure it by tightening the *ADAPTER BOTTOM SCREWS* with an Allen key.
4. Now place the *COVER* on the back of the *VESA PLATE BRACKET* as shown in **Figure 1**.



NOTE: Cover attaches to plate magnetically.

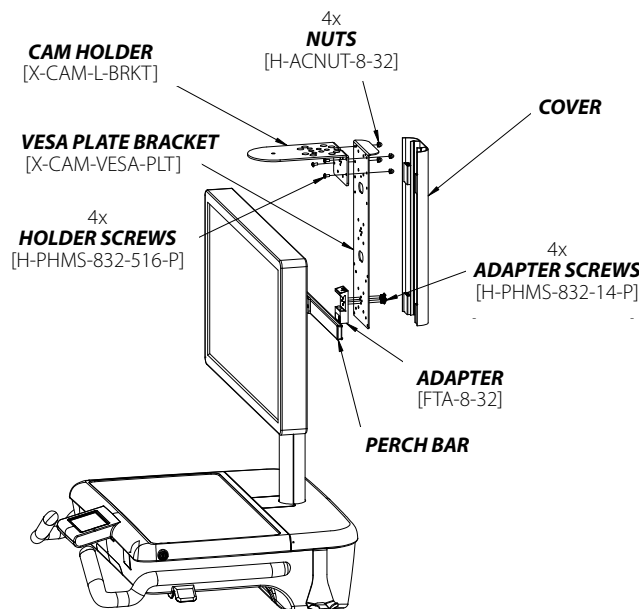


Figure 1



WARNING: If the *MONITOR* size is above 24" the *MONITOR* will not be able to rotate from landscape to portrait.

Section 4: Instructions with Hummingbird Mobile Cart

Installation of KIT 2 (HMA-CAMHLD-FIT):

Kit 2 can be installed on the Hummingbird mobile cart in 2 ways:

- i. On the *POST*
- ii. Between the *POST* and *LCD MONITOR*

For use with **HMA-CAMHLD-FIT** on the *POST*, if not applicable please proceed to the next page.

1. Pull the *POST CAP* and unscrew the 2x *TOP PLATE SCREWS* to open the *TOP PLATE* as shown in **Figure 1**.
2. Place the *POST BRACKET* and the *NEW TOP PLATE* onto the *POST* as shown in **Figure 2**. Secure and tighten with 4x *NEW TOP PLATE SCREWS* through the *NEW TOP PLATE* and the *POST BRACKET* into the *POST* and put back the *POST CAP*.
3. Place the *CAM HOLDER* onto the *VESA PLATE BRACKET* as shown in **Figure 2**. Secure and tighten 4x *HOLDER SCREWS* through the *CAM HOLDER* and the *VESA PLATE BRACKET* into 4x *NUTS*.
4. Place the *VESA PLATE BRACKET* onto the *POST BRACKET* as shown in **Figure 2**. Secure and tighten with 2x *POST BRACKET SCREWS*.
5. Now place the *COVER* on the back on the *VESA PLATE BRACKET* as shown in **Figure 2**.



NOTE: *COVER* attaches to the *PLATE* magnetically.

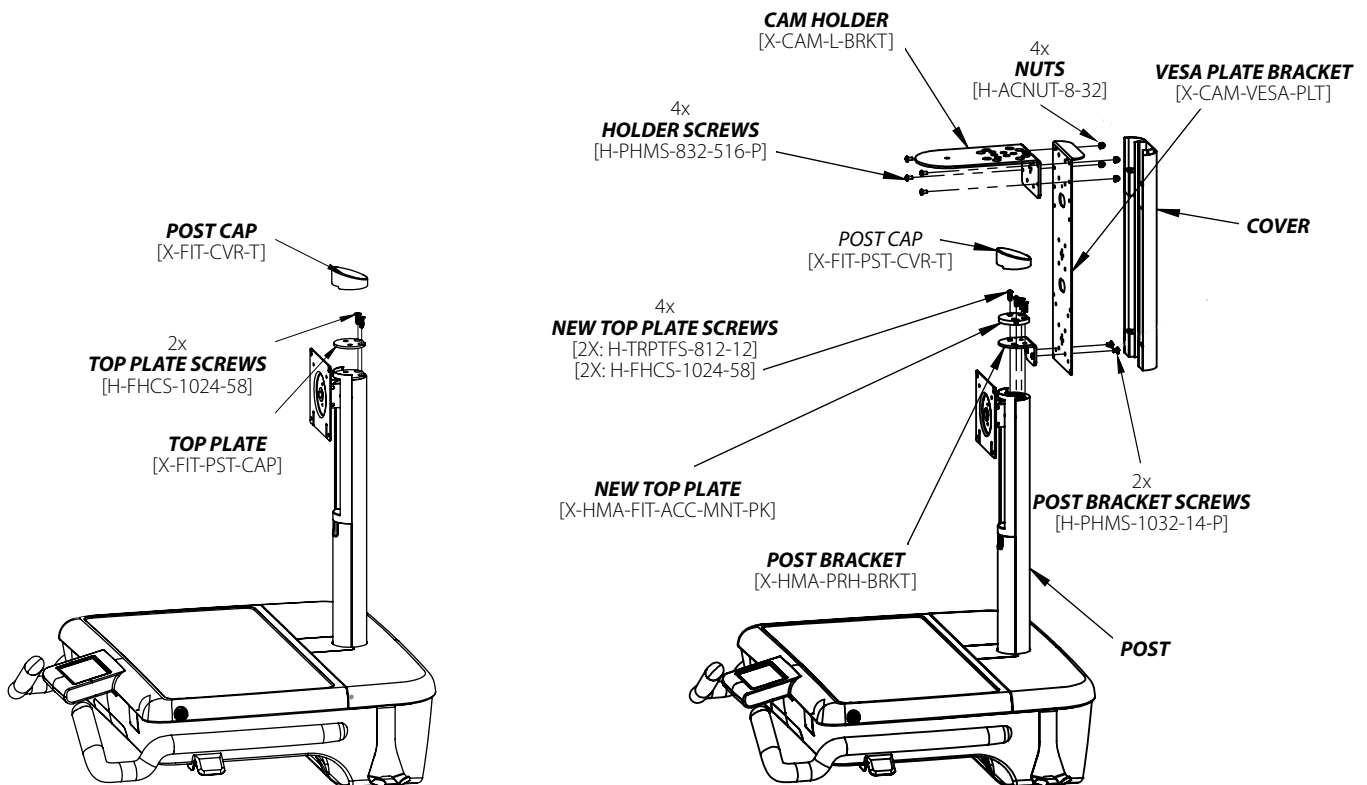


Figure 1

Figure 2

Section 4: Instructions with Hummingbird Mobile Cart

For use with **HMA-CAMHLD-FIT** between the *POST* and the *LCD MONITOR*, if not applicable please proceed to the next page.



CAUTION: For this configuration, the camera will rotate along with movement of *MONITOR* from landscape to portrait.

1. Place the *CAM HOLDER* onto the *VESA PLATE BRACKET* as shown in the **Figure 3**. Secure and tighten 4x *HOLDER SCREWS* through the *CAM HOLDER* and the *VESA PLATE BRACKET* into 4x *NUTS*.
2. Place the *VESA PLATE BRACKET* in between the *POST VESA MOUNT* and the *MONITOR* as shown in **Figure 3**. Secure and tighten 4x *VESA SCREWS*.

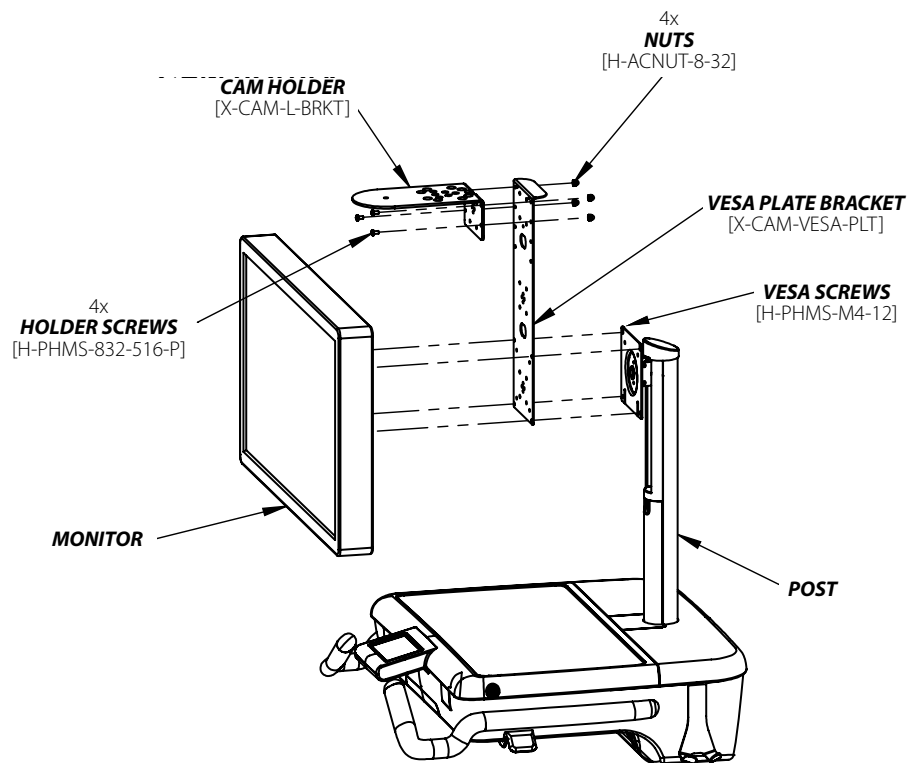


Figure 3

Section 4: Instructions with Hummingbird Mobile Cart

Installation of KIT 3 (CAMHLD-P)



WARNING: For this configuration, a few optional orientations may restrict the movement of the *MONITOR* and may not fully rotate landscape to portrait.

For use with **CAMHLD-P**, if not applicable, please proceed to the next page.

1. Pull the *POST CAP* and unscrew the 2x *TOP PLATE SCREWS* to open the *TOP PLATE* as shown in **Figure 1**.
2. Place the *POST BRACKET* and the *NEW TOP PLATE* onto the *POST* as shown in **Figure 2**. Secure and tighten with 4x *NEW TOP PLATE SCREWS* through the *NEW TOP PLATE* and the *POST BRACKET* into the *POST* then put back the *POST CAP*.
3. Place the *CAM HOLDER* onto the *POST BRACKET* as shown in **Figure 2**. Secure and tighten 2x *HOLDER SCREWS*.
4. Now put the *POST CAP* back on the *NEW TOP PLATE* as shown in **Figure 2**.

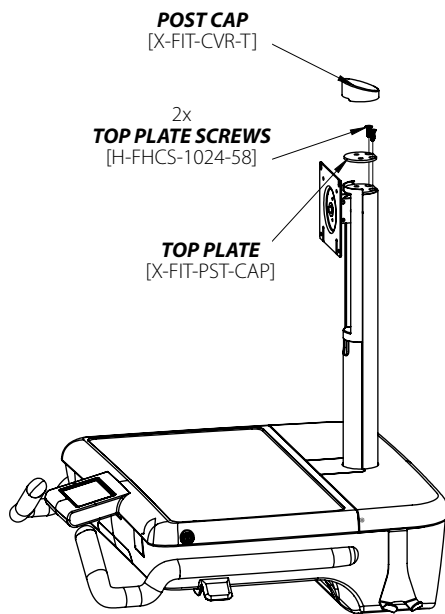


Figure 1

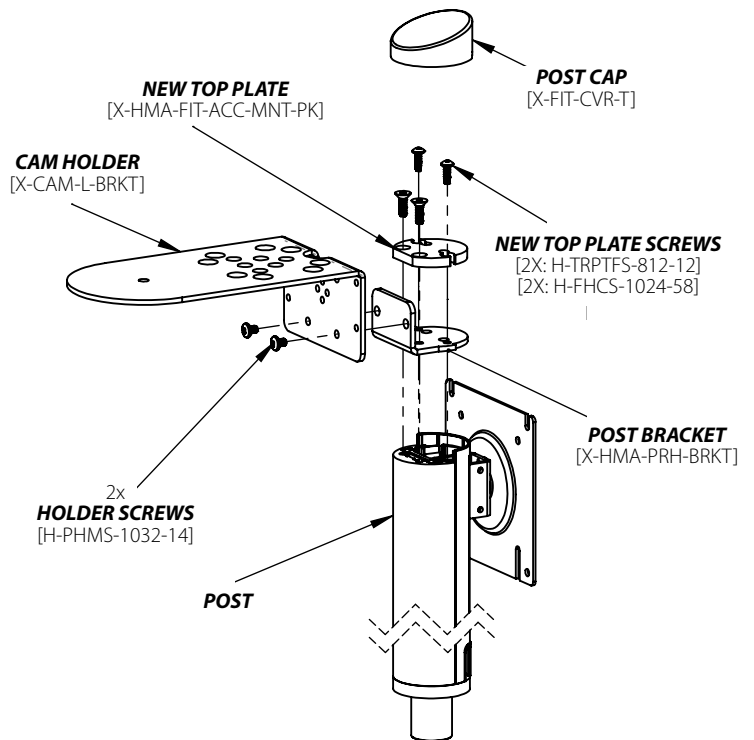


Figure 2

Section 4: Instructions with Hummingbird Mobile Cart

Optional Orientation

5. *CAM HOLDER* and the *POST BRACKET* can switch the orientation up and down as option in **Figures 3, 4, 5, 6, and 7.**

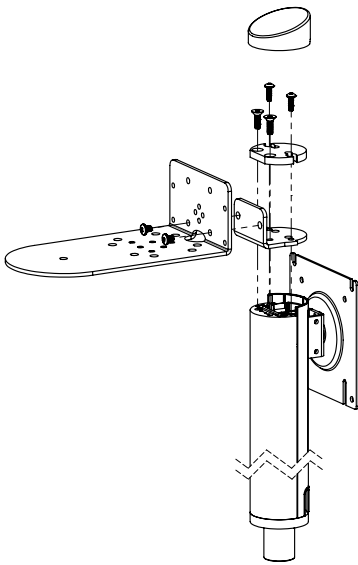


Figure 3

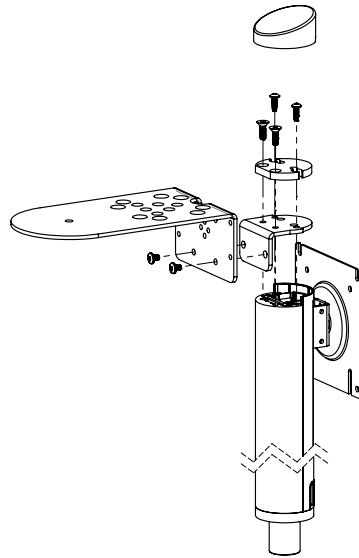


Figure 4

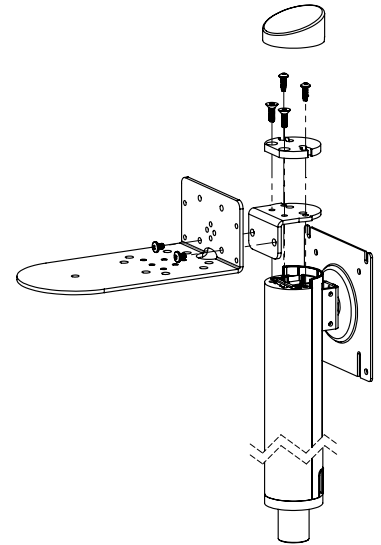


Figure 5

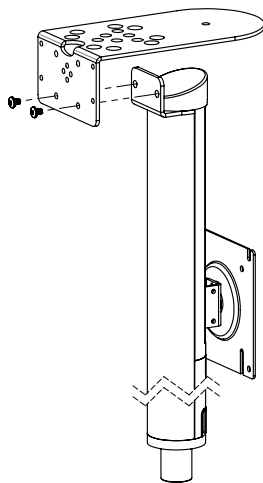


Figure 6

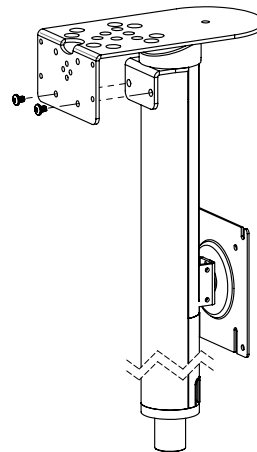


Figure 7

Section 4: Instructions with Hummingbird Mobile Cart



NOTE: For added friction apply the *RUBBER PAD* on the camera mounting surface. **(Figure 8)**

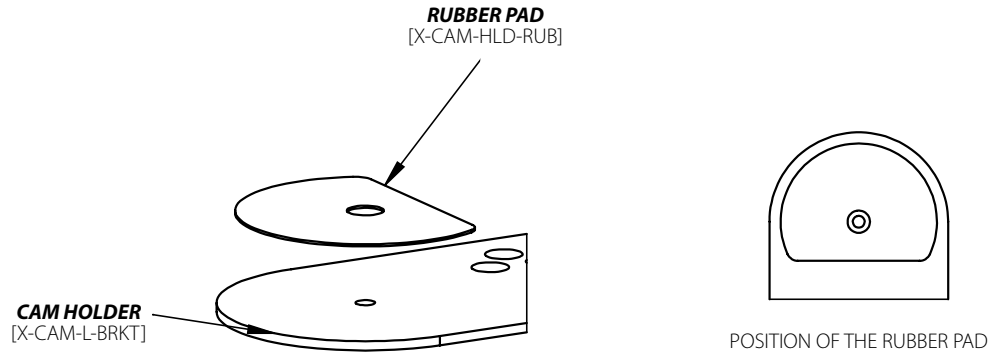


Figure 8

Other Assembly Options with Hummingbird Mobile Cart

The following images show the different assembly options between the *CAM HOLDER* and the *VESA PLATE* with mounting adapters.

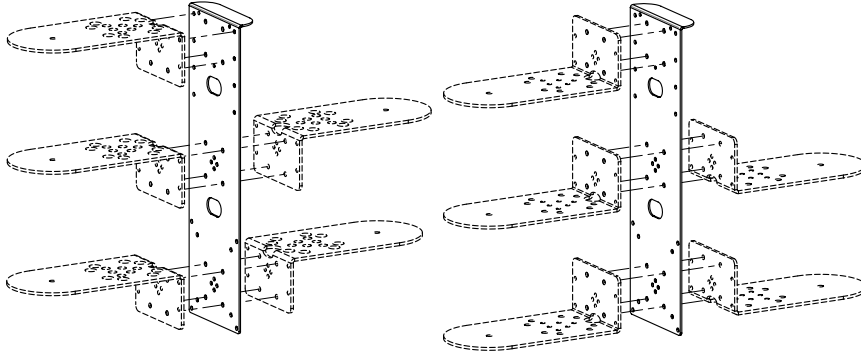
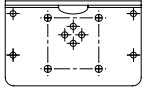


NOTE: Few assembly options will eliminate the *BACK COVER* and restrict the *LCD MONITOR* moments like up and down or landscape to portrait.

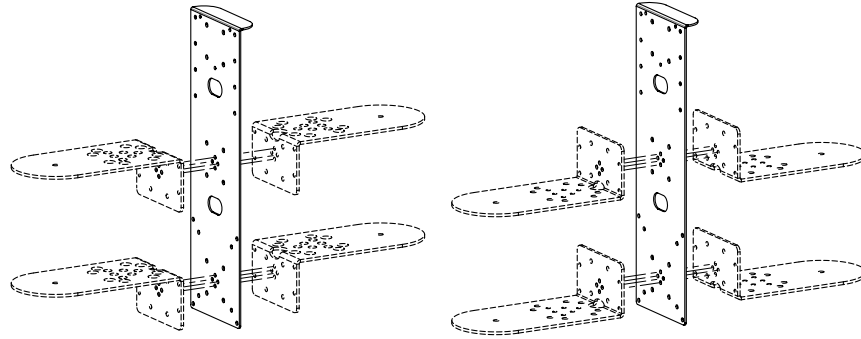
OTHER ASSEMBLY OPTIONS	
	<p>ASSEMBLY WITH <i>CAM HOLDER</i> - CORNER 4x HOLES PATTERN (REQUIRED HARDWARE: 4x H-PHMS-832-516-P AND 4x H-ACNUT-8-32).</p>

Section 4: Instructions with Hummingbird Mobile Cart

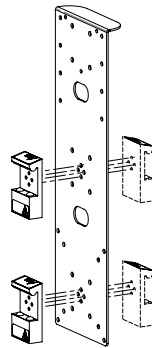
OTHER ASSEMBLY OPTIONS



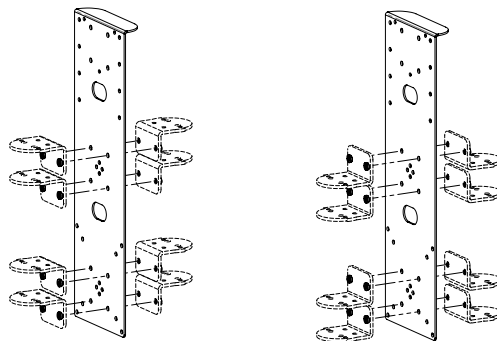
ASSEMBLY WITH *CAM HOLDER* - MIDDLE 4x HOLES PATTERN (REQUIRED HARDWARE: 4x H-PHMS-1032-38-P AND 4x H-ANUT-1032).



ASSEMBLY WITH *CAM HOLDER* - CENTER STAR 4x HOLES PATTERN (REQUIRED HARDWARE: 4x H-PHMS-832-516-P AND 4x H-ACNUT-8-32).



ASSEMBLE *VESA PLATE* WITH *MOUNTING ADAPTER* (REQUIRED HARDWARE: 4x H-PHMS-832-14-P).



ASSEMBLE *VESA PLATE* WITH *MOUNTING POST BRACKET* (REQUIRED HARDWARE: 2x H-PHMS-1032-14-P).

Section 5: Instructions with Hummingbird CTM Cart

For use with **CAMHLD-DW** on the CTM cart, if not applicable please proceed to the next page.

1. Unscrew the 4x **TOP PLATE SCREWS** and the 4x **TOP PLATE WASHERS** to place the **TOP PLATE** aside as shown in **Figure 1**.
2. Place the **CAM HOLDER** onto the **COLUMN** either front or side-facing as show in **Figure 2**. Align the holes and secure with the 4x **CAM HOLDER SCREWS**.

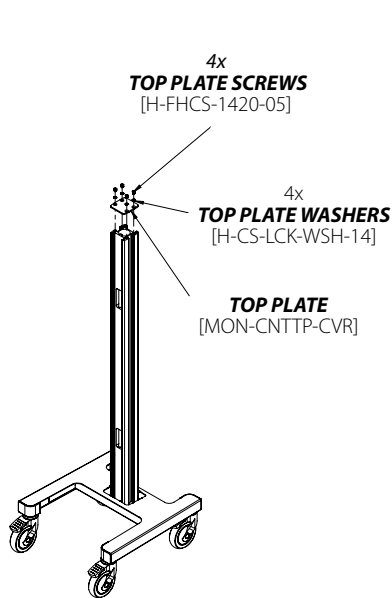


Figure 1

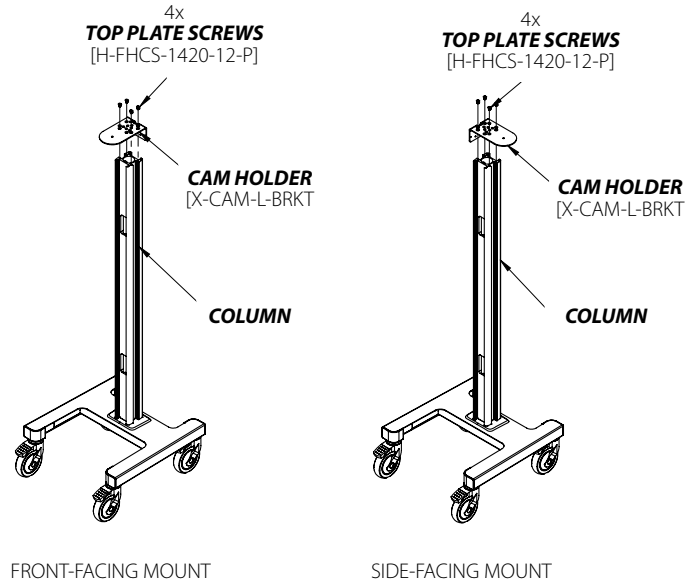


Figure 2



NOTE: For added friction apply the **RUBBER PAD** on the camera mounting surface. (**Figure 3**)

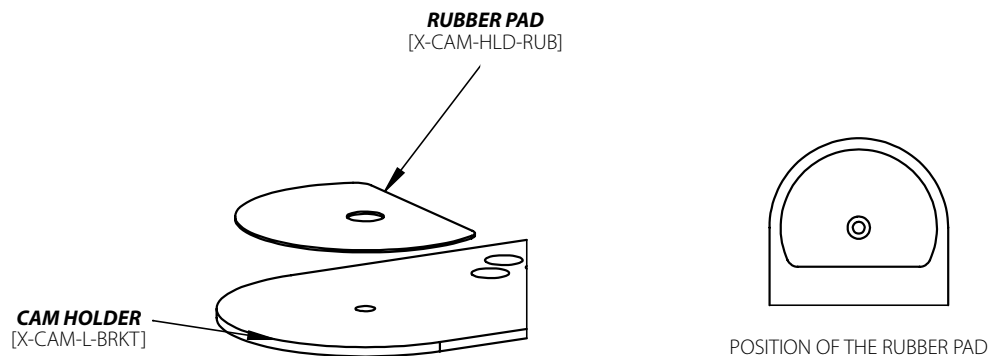


Figure 3

Section 6: Instructions with Roll Stand

For use with **CAMHLD-DW** on the Roll Stand, if not applicable please proceed to the next page.

1. Place the *CAM HOLDER* on top of the *HEAD* as shown in **Figure 1**. Secure and tighten the 3x *CAM HOLDER SCREWS* through the *CAM HOLDER* into the *HEAD*.

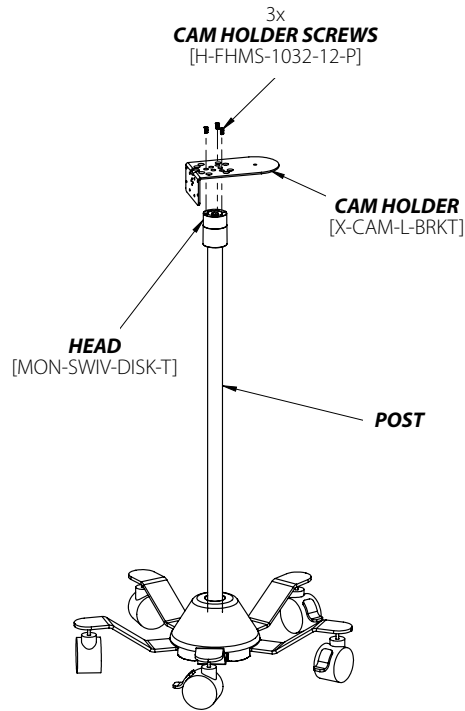


Figure 1



NOTE: For added friction apply the *RUBBER PAD* on the camera mounting surface. (**Figure 2**)

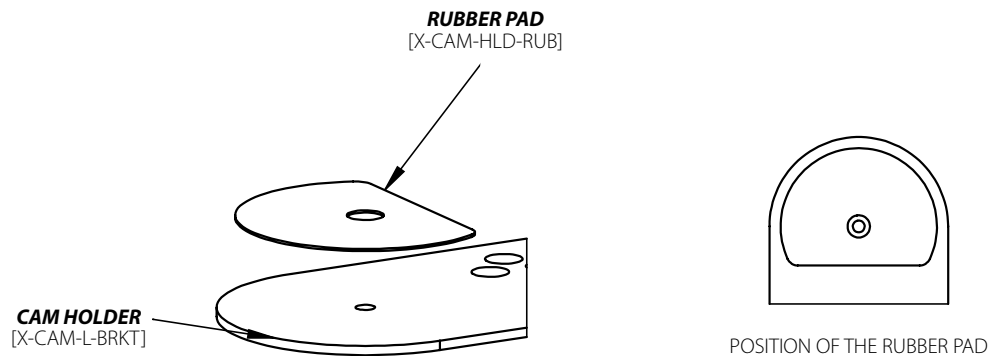


Figure 2

Section 7: Instructions with Tri-Post

For use with **CAMHLD-DW** on the *TRI-POST*.

1. Unscrew the 3x *TOP PLATE SCREWS* and remove the *TRI-POST TOP PLATE* as shown in **Figure 1**.
2. Place the *CAM HOLDER* onto the *TRI-POST* as shown in **Figure 2**. Secure by tightening the 3x *CAM HOLDER SCREWS* through the *CAM HOLDER* into the *TRI-POST*.

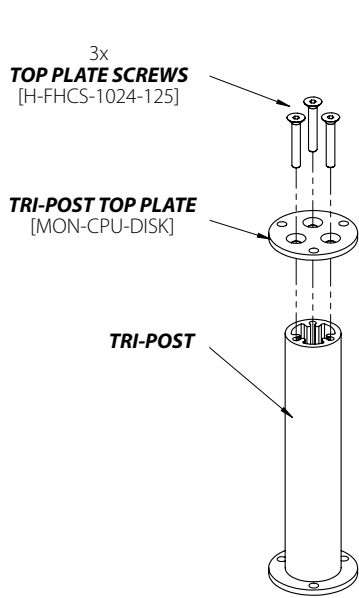


Figure 1

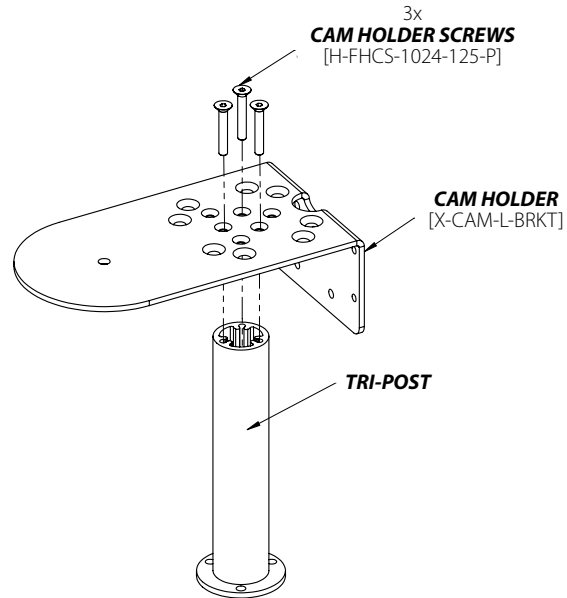


Figure 2



NOTE: For added friction apply the *RUBBER PAD* on the camera mounting surface. (**Figure 3**)

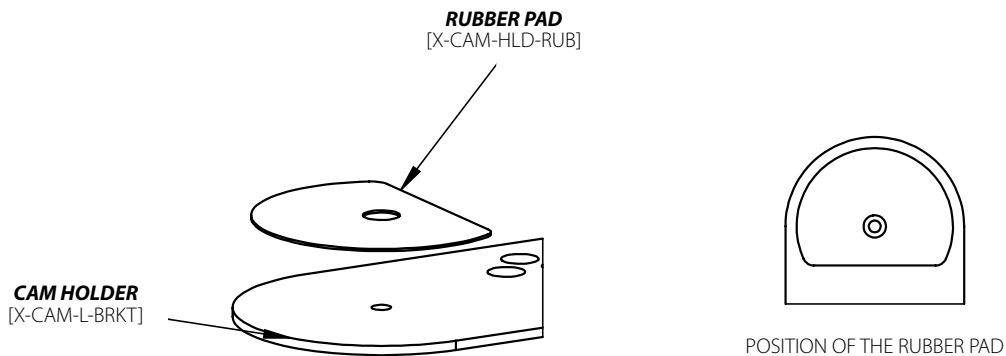
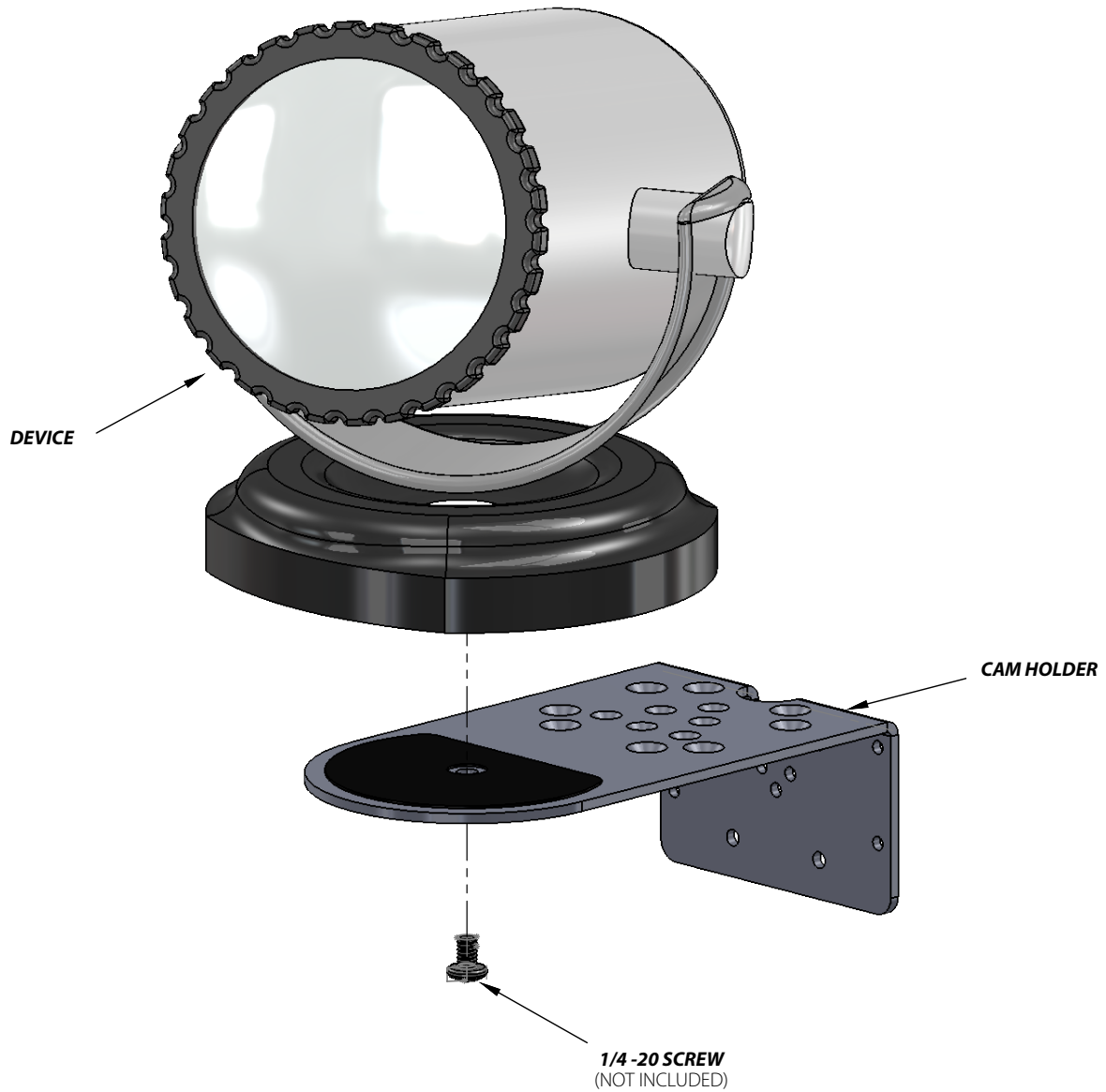


Figure 3

Section 8: Instructions to Install the Device

Place the camera on the *CAN HOLDER* and secure with a *1/4-20 SCREW*.



Section 9: Maintenance and Cleaning

Preventative Maintenance

It is recommended that once every three (3) months all bolts and screws are checked to ensure that they are tight. Visually inspect product for signs of damage based on degree of usage.

Cleaning

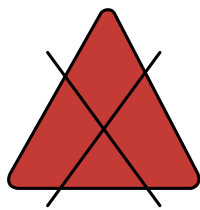


WARNING: The cleaning chemicals and methods below are not meant for infection control. It shall be the responsibility of the facility, clinic, hospital or the infection control officer to sanitize the equipment.



WARNING: Please do not spray any chemical directly onto RS models. Apply onto a soft cloth and wipe clean to prevent chemicals getting into the internal components of RS models.

The mounting assembly can be cleaned with most mild non-abrasive solutions commonly used in the hospital environment (e.g. diluted bleach, ammonia, alcohol). The surface finish will be permanently damaged by strong chemical and solvents such as acetone and trichloroethylene. Steel wool or other abrasive material should never be used. Damage caused by the use of unapproved substances or processes will not be warranted. It is recommended that you test any cleaning solution on a small area of the RS model that is not visible to verify compatibility. Never submerge the RS model and do not allow liquids to enter. Wipe any cleaning agents off of the RS models immediately using a water-dampened cloth. Dry thoroughly after.

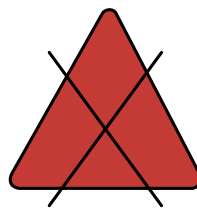


Acetone

Figure 1

No Acetone

Acetone is a colorless, mobile, flammable liquid



Trichloroethylene

Figure 2

No Trichloroethylene

Trichloroethylene is a chlorinated hydrocarbon commonly used as an industrial solvent

Warranty

Amico Accessories Inc. warrants all mounting accessories to be free from defects in material and workmanship for a period of twelve (12) months from the date of shipment. Within this period Amico Accessories Inc. will repair or replace any part which is proven to be defective.

Amico Accessories Inc. will warrant its materials to be free from defect for an additional period of four (4) years, (five [5] years from the date of shipment). Within this period, Amico Accessories Inc. will replace any part which is proven to be defective, at no charge. Shipping and Installation costs after the first twelve (12) months will be borne by the Customer.

This warranty is valid only when the product has been properly installed according to Amico Accessories Inc. specifications, used in a normal manner and serviced according to factory recommendations. It does not cover products that are not manufactured by Amico Accessories Inc. It does not cover failures due to damage which occurs in shipments or failures which result from accidents, misuse, abuse, neglect, mishandling, alteration, misapplication or damage that may be attributable to acts of God.

Amico Accessories Inc. shall not be liable for incidental or consequential damages resulting from use of equipment.

All claims for warranty must first be approved by Amico Accessories Inc. A valid Return Goods Authorization (RGA) number must be obtained from Amico Accessories Inc. prior to commencement of any service work. Warranty work, which has not been pre-authorized by Amico Accessories Inc., will not be reimbursed.

AMICO ACCESSORIES INC. DOES NOT HONOR VERBAL STATEMENTS CONCERNING THE WARRANTY.

The distributor and/or dealer are not sanctioned to create verbal warranties about the product described in this agreement. Any statements will not be honored or be made part of the agreement of sale. This document is the final complete and exclusive terms of the agreement.

THIS WARRANTY IS INCLUSIVE AND REPLACES ALL OTHER WARRANTIES.

Amico Accessories Inc. shall not, under any circumstances be liable for incidental or consequential damages including, but not limited to, profit, loss of sales or injuries to person(s) or property. Correction of noncompliance as noted above will result in completion of all liabilities of Amico Accessories Inc., whether based on agreement, neglect or changed materials, designs or specifications without notice.

All claims for warranty must first be approved by Amico Accessories Inc. Service Department: accessories@amico.com or 1.877.264.2697. A valid Return Goods Authorization number must be obtained from Amico Accessories Inc. prior to commencement of any warranty claim.

Notes

www.amico.com

Amico Accessories Inc. | 85 Fulton Way, Richmond Hill, ON L4B 2N4, Canada
Toll Free Tel: 1.877.264.2697 | Tel: 905.763.7778 | Fax: 905.763.8587
Email: info@amico-accessories.com | www.amico.com